

## Top air vent 2583

- Automatic air venting
- Female thread 1/2" and male conical thread 1/2"



### Description

Automatic air vent.

### Construction

Automatic air vent in brass. Connection female thread 1/2" in the bottom and male R conical thread 1/2" at the top. Polypropylene float.

### Maintenance

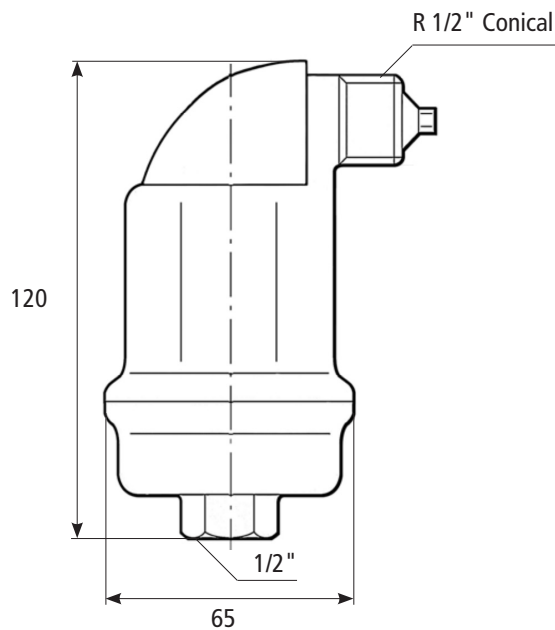
Air vents are normally maintenance-free but should be inspected periodically.

### Technical data

Air vent valve	Brass
O-ring	NBR
Float	Polypropylene

Maximum working pressure: 10 bar  
 Maximum working temperature: +110°C  
 Minimum working temperature: +4°C

Maximum glycol mixtures: 40%



Item number	Description	Connection thread	Height	Width	Weight (kg per piece)
0925830015	Automatic air vent 2583-15, 1/2" F	1/2" F x 1/2" M (Conical)	120	65	0,79

All dimensions in millimetres

Subject to technical changes and corrections without notice